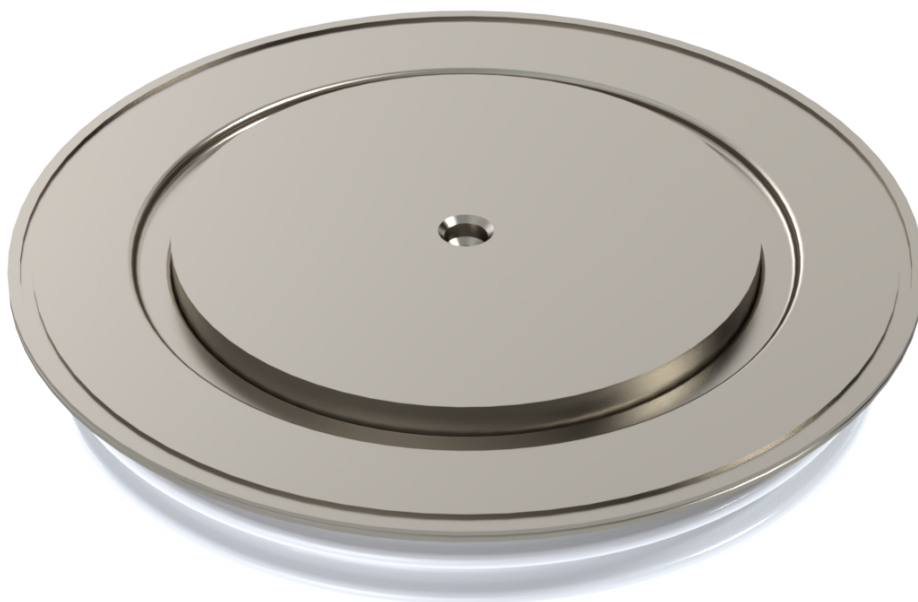


**Extra Fast Recovery  
Diode  
Type SA45AU1300S0**

**Contact us!**

Date: February, 2020  
Data Sheet Issue: 1



**ORDERING INFORMATION**

(Please quote 12 to 15 digit code as below)

SA	45	AU	1300	S	0	
-	Voltage Code	Outline Code	Current code	Type code	Special code	Optional code

**Find more!**

**Explore the full range of our semiconductor portfolio online**

**Absolute Maximum Ratings**

VOLTAGE RATINGS		MAXIMUM LIMITS	UNITS
$V_{RRM}$	Repetitive peak reverse voltage, (note 1)	4500	V
$V_{RSM}$	Non-repetitive peak reverse voltage, (note 1)	4600	V
$V_{RDC}$	Maximum reverse D.C. Voltage, (note 1)	2300	V
note 1)	De-Rating factor of 0.13% per °C is applicable for $T_j$ below 25°C		

OTHER RATINGS		MAXIMUM LIMITS	UNITS
$I_{F(AV)M}$	Maximum average forward current, $T_{sink} = 55^\circ\text{C}$ , (note 1)	1346	A
$I_{F(AV)M}$	Maximum average forward current, $T_{sink} = 100^\circ\text{C}$ , (note 1)	767	A
$I_{F(AV)M}$	Maximum average forward current, $T_{sink} = 100^\circ\text{C}$ , (note 2)	435	A
$I_{F(RMS)}$	Nominal RMS forward current, $T_{sink} = 25^\circ\text{C}$ (note 1)	2615	A
$I_{f(d.c.)}$	D.C. forward current, $T_{sink} = 25^\circ\text{C}$ (note 3)	2130	A
$I_{FSM}$	Peak non-repetitive surge current $t_p = 10\text{ms}$ , $V_{RM} = 60\%V_{RRM}$ , (note 4)	20.8	kA
$I_{FSM2}$	Peak non-repetitive surge current $t_p = 10\text{ms}$ , $V_{RM} \leq 10\text{V}$ , (note 4)	22.9	kA
$I^2t$	$I^2t$ capacity for fusing $t_p = 10\text{ms}$ , $V_{RM} = 60\%V_{RRM}$ , (note 4)	$2.16 \cdot 10^6$	$\text{A}^2\text{s}$
$I^2t$	$I^2t$ capacity for fusing $t_p = 10\text{ms}$ , $V_{RM} \leq 10\text{V}$ , (note 4)	$2.62 \cdot 10^6$	$\text{A}^2\text{s}$
$T_{jop}$	Operating temperature range	-40 to +140	°C
$T_{stg}$	Storage temperature range	-40 to +140	°C
note 1)	Double-side cooled, single phase, 50Hz, 180° half-sinewave.		
note 2)	Single-side cooled, single phase, 50Hz, 180° half-sinewave.		
note 3)	Double-side cooled.		
note 4)	Half-sinewave, 140°C $T_j$ initial.		
note 5)	Current ( $I_F$ ) ratings have been calculated using $V_{T0}$ and $r_T$ (see page 3)		

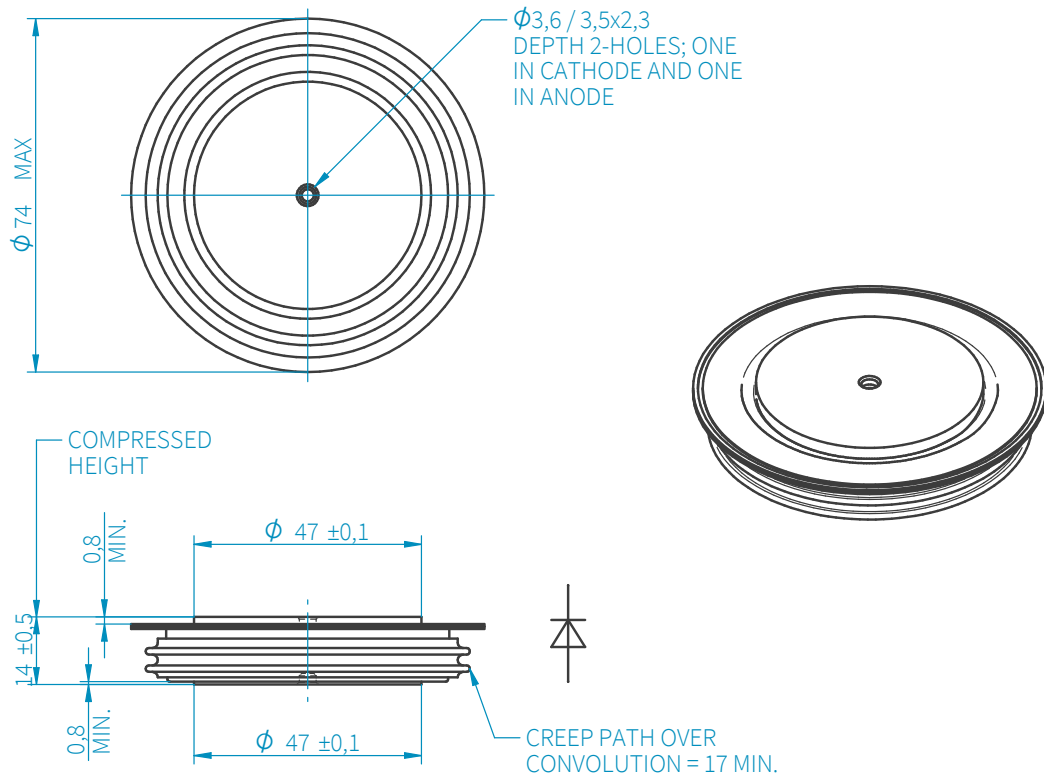
## Characteristics

PARAMETER		TEST CONDITIONS	MIN	TYP	MAX	UNITS
V <sub>FM</sub>	Maximum peak forward voltage	I <sub>FM</sub> =800A	-	-	1.75	V
		I <sub>FM</sub> =1200A	-	-	1.95	V
V <sub>T0</sub>	Threshold Voltage	Current range 1346-4038A (note 2)	-	-	1.569	V
r <sub>T</sub>	Slope resistance		-	-	0.318	mΩ
V <sub>T01</sub>	Threshold Voltage	Current range 1200-3600A (note 2)	-	-	1.539	V
r <sub>T1</sub>	Slope resistance		-	-	0.332	mΩ
V <sub>FRM</sub>	Maximum forward recovery voltage	di/dt = 1000A/μs, T <sub>j</sub> = 25°C	-	-	120	V
		di/dt = 1000A/μs	-	-	230	V
I <sub>RRM</sub>	Peak reverse current	Rated V <sub>RRM</sub>	-	-	40	mA
		Rated V <sub>RRM</sub> , T <sub>j</sub> = 25°C	-	-	10	mA
Q <sub>rr</sub>	Recovered charge		-	2150	-	μC
Q <sub>ra</sub>	Recovered charge, 50% Chord	I <sub>FM</sub> = 1000A, t <sub>p</sub> = 1000μs, di/dt = 200A/μs, V <sub>R</sub> = 100V, 50% Chord. (note 3)	-	1010	1300	μC
I <sub>rm</sub>	Reverse recovery current		-	470	-	A
t <sub>rr</sub>	Reverse recovery time, 50% Chord		-	4.3	-	μs
Q <sub>rr</sub>	Recovered charge	I <sub>FM</sub> = 1200A, t <sub>p</sub> = 1000μs, di/dt = 200A/μs, V <sub>R</sub> = 1500V, with 4.5Ω, 1μF snubber (note 3)	-	4680	-	μC
Q <sub>ra</sub>	Recovered charge, 50% Chord		-	3680	4100	μC
I <sub>rm</sub>	Reverse recovery current		-	560	-	A
t <sub>rr</sub>	Reverse recovery time, 50% Chord		-	15	-	μs
R <sub>thJK</sub>	Thermal resistance, junction to heatsink (note 4)	Double side cooled	-	-	0.024	K/W
		Single side cooled	-	-	0.048	K/W
F	Mounting force	note 4)	19	-	26	kN
W <sub>t</sub>	Weight		-	510	-	g
note 1)	Unless otherwise indicated T <sub>j</sub> = 140°C					
note 2)	V <sub>T0</sub> and r <sub>T</sub> were used to calculate the current ratings illustrated on page 2.					
note 3)	Figures 4-7 were compiled using these conditions					
note 4)	For clamp forces outside these limits, consult factory.					

**Request full technical data sheet via e-mail, free of charge:**

**Order Now!**

## Outline Drawing



# SANCONA®

*technical solutions*

### SANCONA GmbH

An der Hebemärchte 26  
D-04316 Leipzig

// ☎ +49 341 652355-0  
 // 📠 +49 341 652355-99  
 // ✉ [info@sancona.com](mailto:info@sancona.com)  
 // 🌐 [www.sancona.com](http://www.sancona.com)

// Registry Court: Leipzig HRB 32946  
 VAT Reg No.: DE308741810  
 Tax number: 232/118/085686

The information contained herein is confidential and is protected by Copyright. The information may not be used or disclosed except with written permission of and in the manner permitted by the proprietors SANCONA GmbH. In the interest of product improvement, SANCONA reserves the right to change specifications at any time without prior notice. Devices with a suffix code (2-letter, 3-letter or letter/digit/letter combination) added to their generic code are not necessarily subject to the conditions and limits contained in this report.