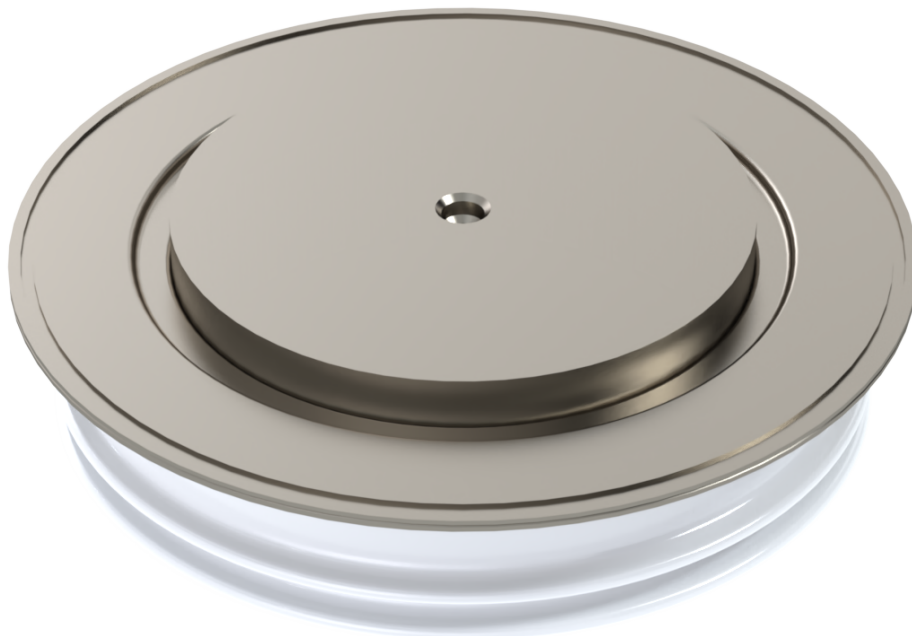


**Fast Recovery
Diode
Type SA42AQ1010Z0**

Contact us!

Date: March, 2020
Data Sheet Issue: 1



ORDERING INFORMATION

(Please quote 12 to 15 digit code as below)

| | | | | | | |
|----|--------------|--------------|--------------|-----------|--------------|---------------|
| SA | 42 | AQ | 1010 | Z | 0 | |
| - | Voltage Code | Outline Code | Current code | Type code | Special code | Optional code |

Find more!

Explore the full range of our semiconductor portfolio online

Absolute Maximum Ratings

| VOLTAGE RATINGS | | MAXIMUM LIMITS | UNITS |
|-----------------|---|----------------|-------|
| V_{RRM} | Repetitive peak reverse voltage, (note 1) | 4200 | V |
| V_{RSM} | Non-repetitive peak reverse voltage, (note 1) | 4300 | V |
| V_{RDC} | Maximum reverse D.C. Voltage, (note 1) | 2040 | V |
| note 1) | De-Rating factor of 0.13% per °C is applicable for T_j below 25°C | | |

| OTHER RATINGS | | MAXIMUM LIMITS | UNITS |
|---------------|---|------------------|----------------------|
| $I_{F(AV)M}$ | Maximum average forward current, $T_{sink} = 55^\circ\text{C}$, (note 1) | 1010 | A |
| $I_{F(AV)M}$ | Maximum average forward current, $T_{sink} = 100^\circ\text{C}$, (note 1) | 668 | A |
| $I_{F(AV)M}$ | Maximum average forward current, $T_{sink} = 100^\circ\text{C}$, (note 2) | 413 | A |
| $I_{F(RMS)}$ | Nominal RMS forward current, $T_{sink} = 25^\circ\text{C}$ (note 1) | 1880 | A |
| $I_{f(d.c.)}$ | D.C. forward current, $T_{sink} = 25^\circ\text{C}$ (note 3) | 1664 | A |
| I_{FSM} | Peak non-repetitive surge current $t_p = 10\text{ms}$, $V_{RM} = 60\%V_{RRM}$, (note 4) | 9.6 | kA |
| I_{FSM2} | Peak non-repetitive surge current $t_p = 10\text{ms}$, $V_{RM} \leq 10\text{V}$, (note 4) | 10.56 | kA |
| I^2t | I^2t capacity for fusing $t_p = 10\text{ms}$, $V_{RM} = 60\%V_{RRM}$, (note 4) | $461 \cdot 10^3$ | A^2s |
| I^2t | I^2t capacity for fusing $t_p = 10\text{ms}$, $V_{RM} \leq 10\text{V}$, (note 4) | $558 \cdot 10^3$ | A^2s |
| T_{jop} | Operating temperature range | -40 to +150 | °C |
| T_{stg} | Storage temperature range | -40 to +150 | °C |
| note 1) | Double-side cooled, single phase, 50Hz, 180° half-sinewave. | | |
| note 2) | Single-side cooled, single phase, 50Hz, 180° half-sinewave. | | |
| note 3) | Double-side cooled. | | |
| note 4) | Half-sinewave, 150°C T_j initial. | | |

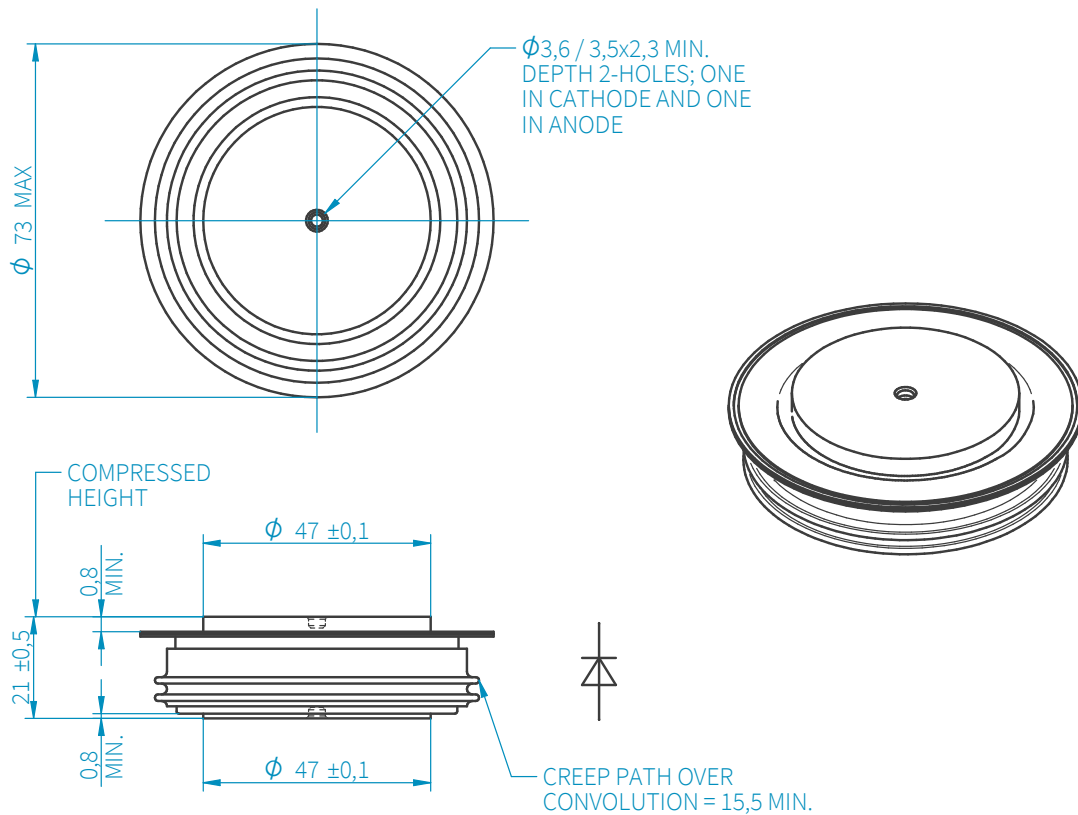
Characteristics

| PARAMETER | | TEST CONDITIONS | MIN | TYP | MAX | UNITS |
|-------------------|---|--|-----|------|-------|-------|
| V _{FM} | Maximum peak forward voltage | I _{FM} =1500A | - | - | 3.25 | V |
| | | I _{FM} =2020A | - | - | 3.7 | V |
| V _{T0} | Threshold Voltage | | - | - | 1.70 | V |
| r _T | Slope resistance | | - | - | 1.03 | mΩ |
| V _{FRM} | Maximum forward recovery voltage | di/dt = 1000A/μs, T _j = 25°C | - | - | 65 | V |
| | | di/dt = 1000A/μs | - | - | 160 | V |
| I _{RRM} | Peak reverse current | Rated V _{RRM} | - | - | 150 | mA |
| Q _{rr} | Recovered charge | | - | 1450 | - | μC |
| Q _{ra} | Recovered charge, 50% Chord | I _{FM} = 1000A, t _p = 500μs, di/dt = 200A/μs, V _R = 50V, 50% Chord. | - | 700 | 950 | μC |
| I _{rm} | Reverse recovery current | | - | 440 | - | A |
| t _{rr} | Reverse recovery time, 50% Chord | | - | 3.2 | - | μs |
| R _{thJK} | Thermal resistance, junction to heatsink | Double side cooled | - | - | 0.022 | K/W |
| | | Single side cooled | - | - | 0.044 | K/W |
| F | Mounting force | note 2) | 19 | - | 26 | kN |
| W _t | Weight | | - | 480 | - | g |
| note 1) | Unless otherwise indicated T _j = 150°C | | | | | |
| note 2) | For other clamp forces consult factory | | | | | |

Request full technical data sheet via e-mail, free of charge:

Order Now!

Outline Drawing



SANCONA®

technical solutions

SANCONA GmbH

An der Hebemärchte 26
D-04316 Leipzig

// ☎ +49 341 652355-0
 // 📠 +49 341 652355-99
 // ✉ info@sancona.com
 // 🌐 www.sancona.com

// ⚖ Registry Court: Leipzig HRB 32946
 // 📄 VAT Reg No.: DE308741810
 // 📄 Tax number: 232/118/085686

The information contained herein is confidential and is protected by Copyright. The information may not be used or disclosed except with written permission of and in the manner permitted by the proprietors SANCONA GmbH. In the interest of product improvement, SANCONA reserves the right to change specifications at any time without prior notice. Devices with a suffix code (2-letter, 3-letter or letter/digit/letter combination) added to their generic code are not necessarily subject to the conditions and limits contained in this report.